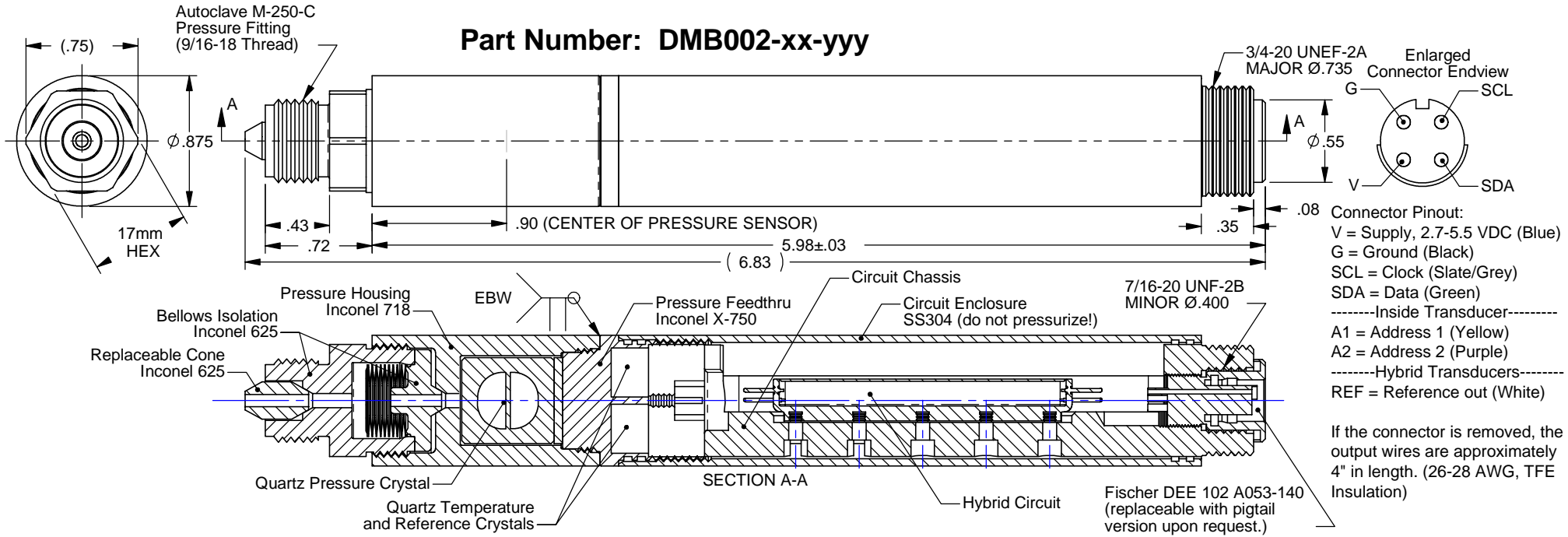


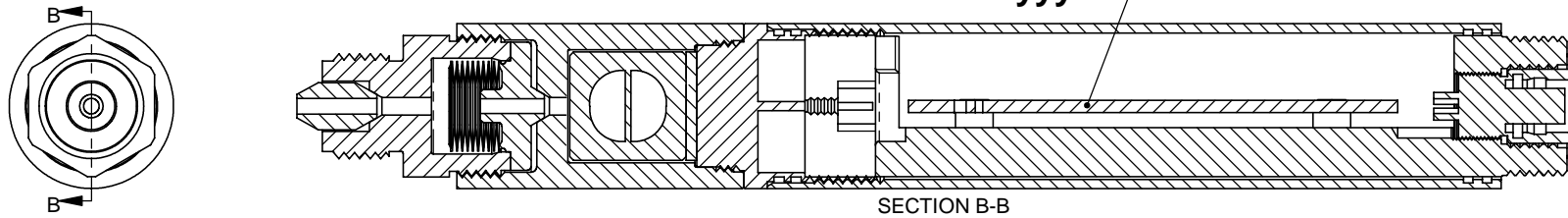
**Part Number: DMB002-xx-yyy**

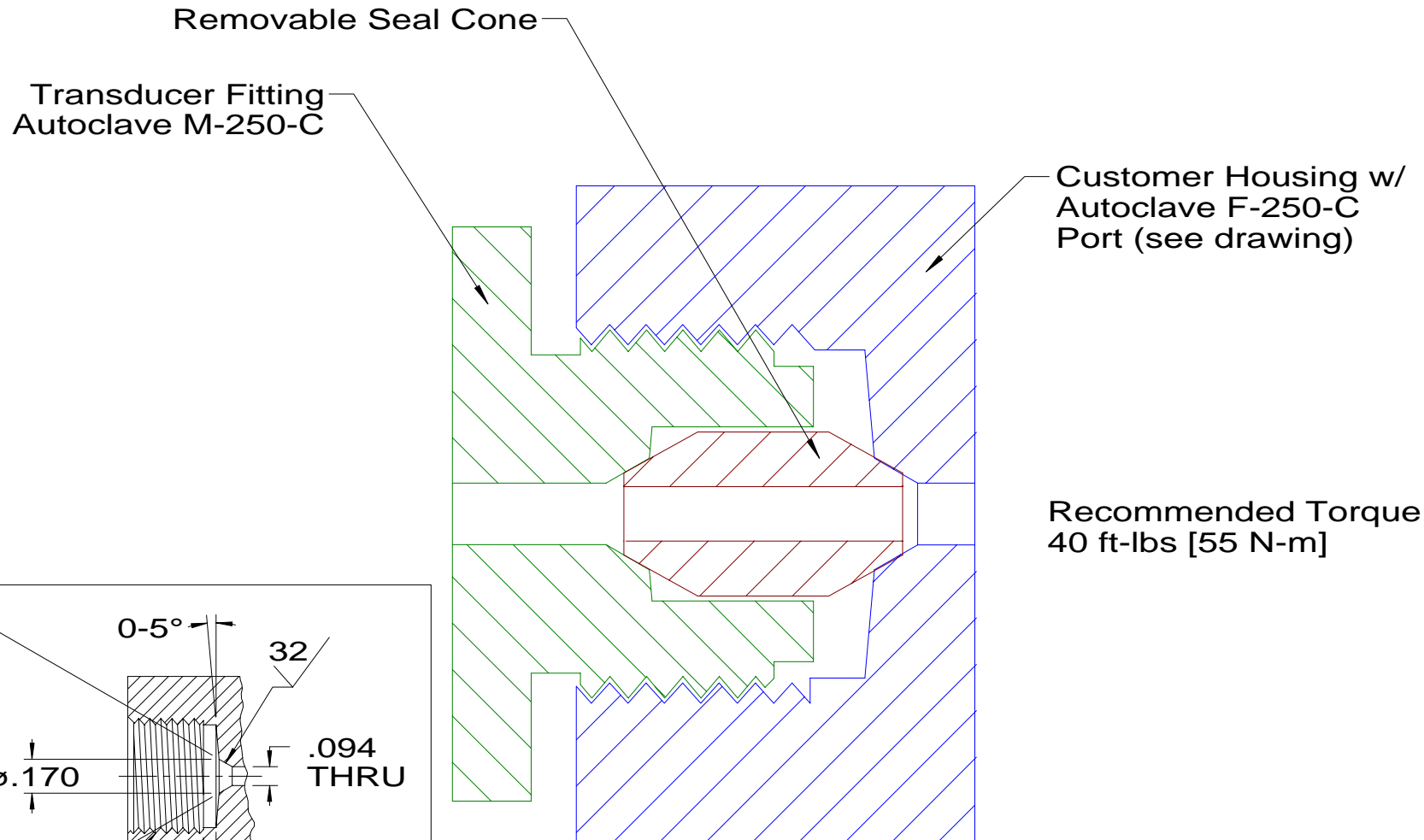


© Quartzdyne, Inc.  
 15 February, 2010

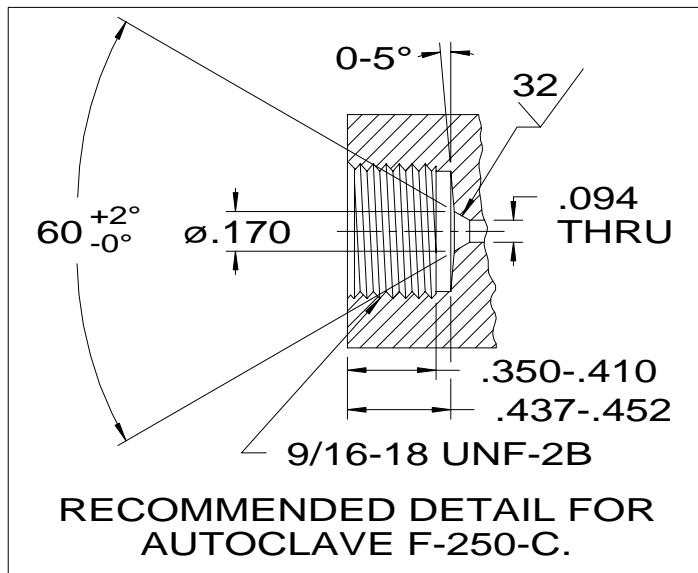
Unless otherwise specified, construction and design are similar between models.

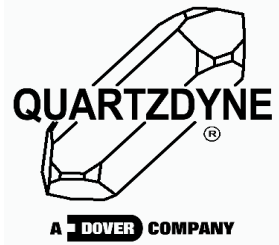
**Part Number: DMB301-xx-yyy**





Recommended Torque:  
40 ft-lbs [55 N-m]





## Mechanical Specifications for 7/8" Transducers

Proof Pressure .....	35,000 psi [2413 bar]
Overpressure without Sensor Damage.....	varies with temperature; see plot below
Pressure Media.....	particle-free fluid compatible with Inconel 625 and MP35N
Mechanical Shock.....	500 g, 2 ms half-sine
Vibration.....	survives random vibration per NAVMAT P-9492 3.2.1
Weight.....	9.2 oz [260 g]

